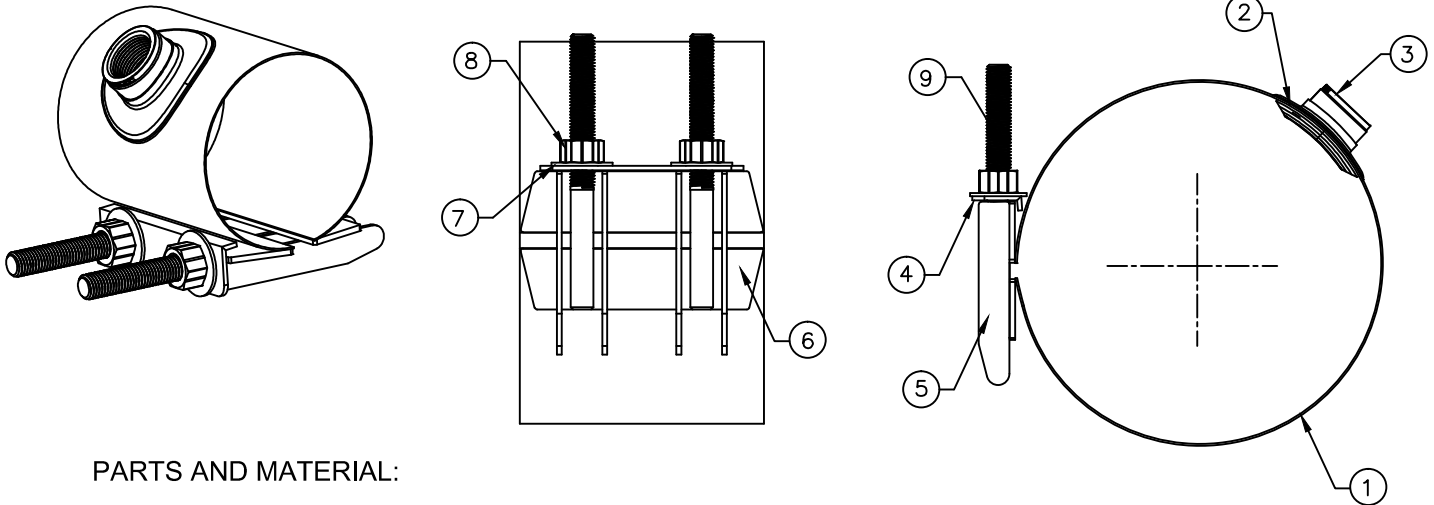


SUBMITTAL INFORMATION

Stainless Steel Single Piece Saddle—(8403/8405/8407 series)



PARTS AND MATERIAL:

- | | | |
|--------------------|--|--------|
| 1. Saddle Body: | 18-8 type 304 Stainless Steel
Size 4" - 20 Gauge
Size 6"- 8" - 20 gauge (3/4" to 1" outlets)
- 18 gauge (1 1/4" to 2" outlets)
Size 10" & 12" - 18 gauge | |
| | Size 4" - 12" - 6" width (3/4" to 1" outlets)
- 8" width (1 1/4" to 2" outlets) | } 8403 |
| | Size 4" - 8" - 6" width (3/4" to 1" outlets)
- 8" width (1 1/4" to 2" outlets) | } 8407 |
| | Size 10" - 12" - 8" width (3/4" to 2" outlets) | |
| 2. Gasket: | Gaskets are made from EPDM meets ASTM D2000 STANDARD & NSF 61 | |
| 3. Stainless Taps: | 18-8 type 304 Stainless Steel
Outlet Sizes - 3/4" to 2" AWWA (CC) , or FIP, or BSPT | |
| 4. Lifter Bar: | 18-8 type 304 Stainless Steel | |
| 5. Finger Bracket: | 18-8 type 304 Stainless Steel | |
| 6. Side Bar: | 18-8 type 304 Stainless Steel | |
| 7. Washer: | 18-8 type 304 Stainless Steel | |
| 8. Nuts: | 5/8-11 Stainless Steel heavy hex nuts coated to prevent galling | |
| 9. Studs: | 18-8 Stainless Steel, 5/8" roll NC thread | |

- FEATURES:**
- All components are made of 18-8 type Stainless Steel
 - Fully Passivated for corrosion resistance
 - Lifter bar design-no loose parts for assembly
 - Saddle size and outlet information clearly marked on each saddle
 - Size from 4" to 12" (12.74-13.21) one piece design
 - Rated for 250 PSI working pressure
 - 18 gauge material used for 8405 series saddle body all over range
 - 4" to 8" sizes available for 8405 series with 6" width in small outlets & 8" width in large outlets
 - Alternative gasket materials NBR, is available upon request
 - Ring gasket and pad gasket options are available upon request
 - Bolt torque not to exceed 60 ft. lbs.

Cambridge Brass considers the information in this submittal form to be correct at the time of publication. Item and option availability, including specifications, are subject to change without notice.

SHEET 1 OF 3

Cambridge Brass
P.O. Box 249, 140 Orion Place
Cambridge, Ontario
Canada N1R 5V1
Tel: (519) 621-5520
Fax: (519) 621-8674
<http://www.cambridgebrass.com>

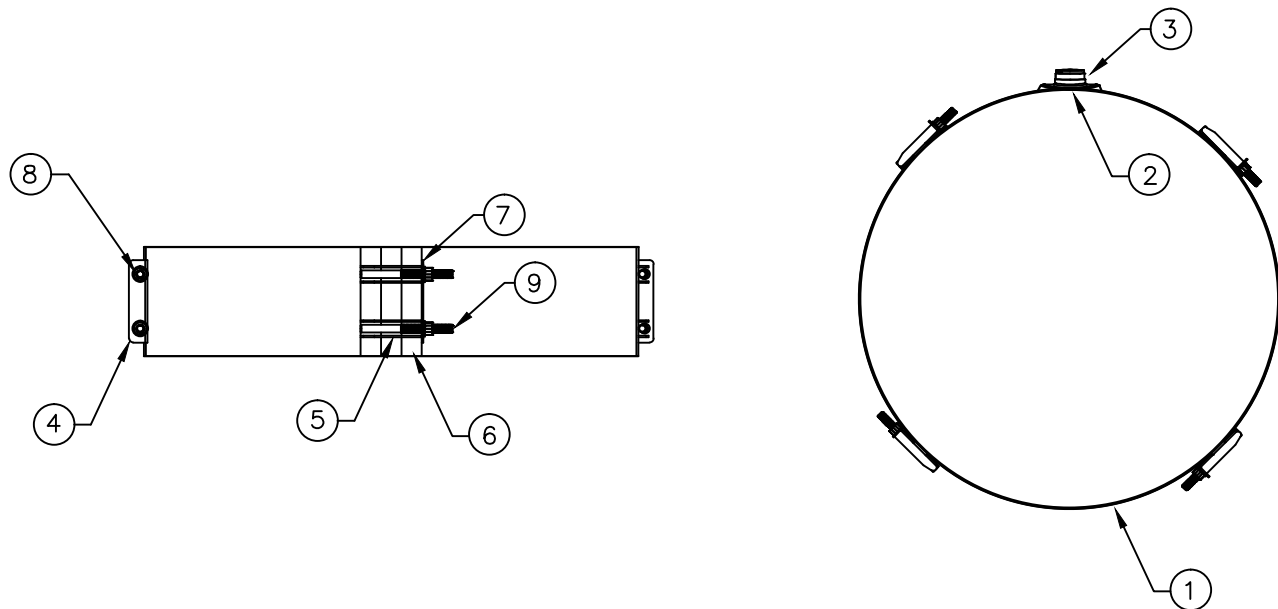


FILE: SUBMITTAL/SADDLE.DWG
REV. A - MAR 2017

SUBMITTED BY:

SUBMITTAL INFORMATION

Stainless Steel FOUR Piece Saddle—(8407 SPECIAL)



- | | |
|--------------------|---|
| 1. Saddle Body: | 18-8 type 304 Stainless Steel
Size 12" & Larger - 18 Gauge
Size 12" & Larger - 8" width (3/4" to 2" outlets) ⁸⁴⁰⁷ |
| 2. Gasket: | Gaskets are made from EPDM meets ASTM D2000 STANDARD & NSF 61 |
| 3. Stainless Taps: | 18-8 type 304 Stainless Steel
Outlet Sizes - 3/4" to 2" AWWA (CC) , or FIP, BSPT |
| 4. Lifter Bar: | 18-8 type 304 Stainless Steel |
| 5. Finger Bracket: | 18-8 type 304 Stainless Steel |
| 6. Side Bar: | 18-8 type 304 Stainless Steel |
| 7. Washer: | 18-8 type 304 Stainless Steel |
| 8. Nuts: | 5/8-11 Stainless Steel heavy hex nuts coated to prevent galling |
| 9. Studs: | 18-8 Stainless Steel, 5/8" roll NC thread |

FEATURES: - All components are made of 18-8 type Stainless Steel
- Fully Passivated for corrosion resistance
- Lifter bar design-no loose parts for assembly
- Saddle size and outlet information clearly marked on each saddle
- Size from 24" and larger two piece design
- Rated for 250 PSI working pressure
- Alternative gasket material NBR, is available upon request
- Ring gasket and pad gasket options are available upon request
- Bolt torque not to exceed 60 ft. lbs.

Cambridge Brass considers the information in this submittal form to be correct at the time of publication. Item and option availability, including specifications, are subject to change without notice.

SHEET 3 OF 3

Cambridge Brass
P.O. Box 249, 140 Orion Place
Cambridge, Ontario
Canada N1R 5V1
Tel: (519) 621-5520
Fax: (519) 621-8674
<http://www.cambridgebrass.com>



FILE: SUBMITTAL/SADDLE.DWG
REV. A - MAR, 2017

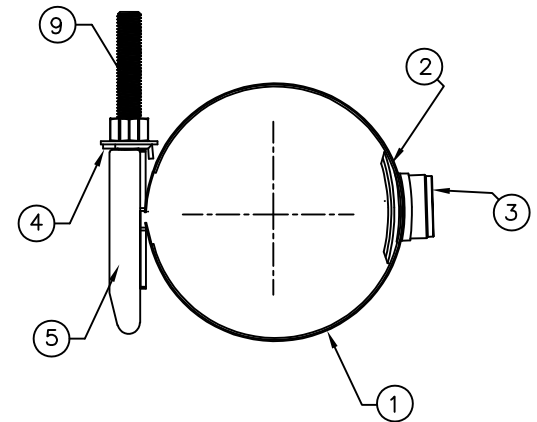
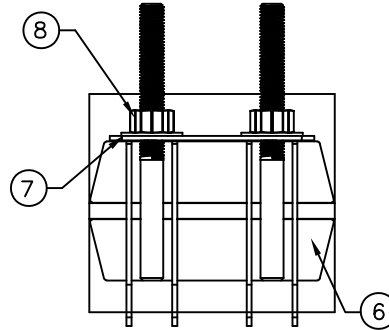
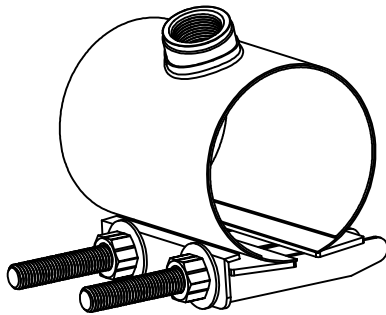
SUBMITTED BY:

SUBMITTAL INFORMATION

Stainless Steel One Piece Saddle—(8403series)

TECK 403 Series Saddles

SIZE: 2" – 3"



PARTS AND MATERIAL:

- | | |
|--------------------|---|
| 1. Saddle Body: | 18-8 type 304 Stainless Steel |
| | Size 2" - 24 Gauge (3/4" to 1 1/4" outlets) |
| | -Saddle 6" in length |
| | Size 3" - 24 Gauge (3/4" to 2" outlets) |
| | -Saddle with 3/4" & 1", 6" in length |
| | -Saddle with 1 1/4" to 2", 8" in length |
| 2. Gasket: | Gaskets are made from EPDM meets ASTM D2000 STANDARD & NSF 61 |
| 3. Stainless Taps: | 18-8 type 304 Stainless Steel |
| | Outlet Sizes - FIP: 2" Saddle (3/4"-1 1/4"), 3" Saddle (3/4"-2") |
| 4. Lifter Bar: | 18-8 type 304 Stainless Steel |
| 5. Finger Bracket: | 18-8 type 304 Stainless Steel |
| 6. Side Bar: | 18-8 type 304 Stainless Steel |
| 7. Washer: | 18-8 type 304 Stainless Steel |
| 8. Nuts: | 18-8 type 304 Stainless Steel, 5/8"-11 heavy hex nuts coated to prevent galling |
| 9. Studs: | 18-8 type 304 Stainless Steel, 5/8"-11 roll NC thread |

- FEATURES:**
- All components are made of 18-8 type 304 Stainless Steel
 - Fully Passivated for corrosion resistance
 - Lifter bar design - no loose parts for assembly
 - Saddle size and outlet information clearly marked on each saddle
 - Rated for 250 PSI working pressure
 - Alternative gasket materials NBR, is available upon request
 - Ring gasket and pad gasket options are available upon request
 - Recommended bolt torque ~ 60 ft. lbs.

Cambridge Brass considers the information in this submittal form to be correct at the time of publication. Item and option availability, including specifications, are subject to change without notice.

Cambridge Brass
P.O. Box 249, 140 Orion Place
Cambridge, Ontario
Canada N1R 5V1
Tel: (519) 621-5520
Fax: (519) 621-8674
<http://www.cambridgebrass.com>



SUBMITTED BY: